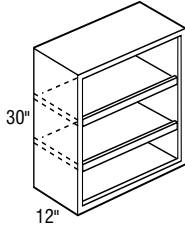


# SPECIFICATIONS & SIZES

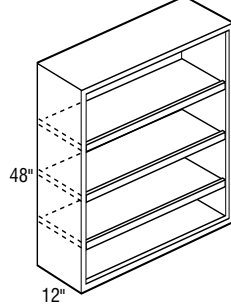
## OFFICE & FURNITURE

18", 24", 30", or 36"



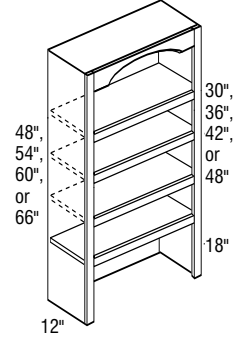
*30" High Bookcases*

18", 24", 30", or 36"



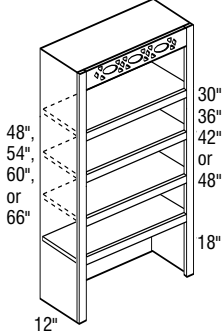
*48" High Bookcases*

18", 24", 30", or 36"



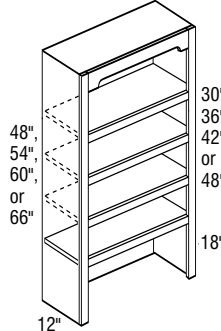
*Wall Bookcases with Arched Valance*

18", 24", 30", or 36"



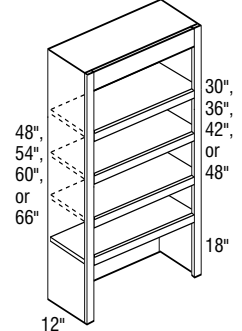
*Wall Bookcases with Frieze Valance*

18", 24", 30", or 36"



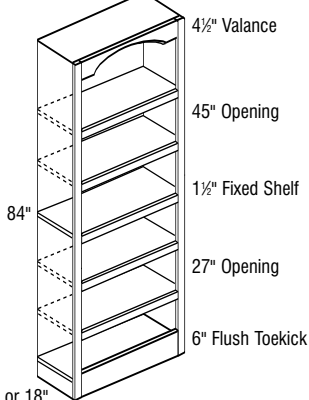
*Wall Bookcases with Furniture Valance*

18", 24", 30", or 36"



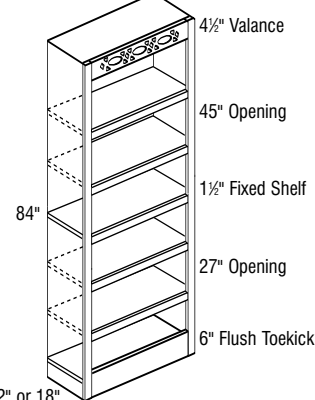
*Wall Bookcases with Straight Valance*

24", 30", or 36"



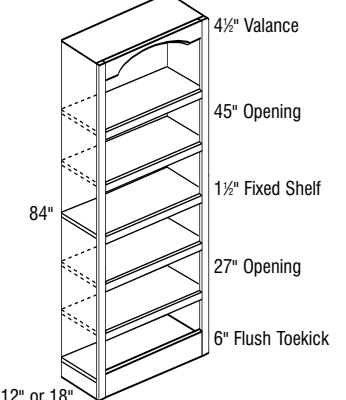
*Tall Bookcases with Arched Valance*

24", 30", or 36"



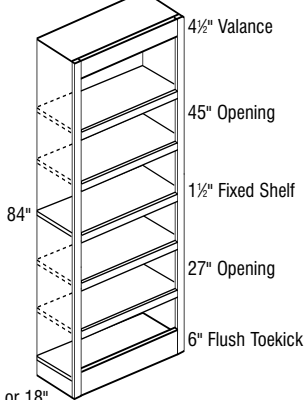
*Tall Bookcases with Frieze Valance*

24", 30", or 36"



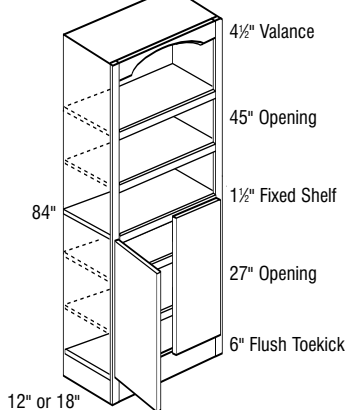
*Tall Bookcases with Furniture Valance*

24", 30", or 36"



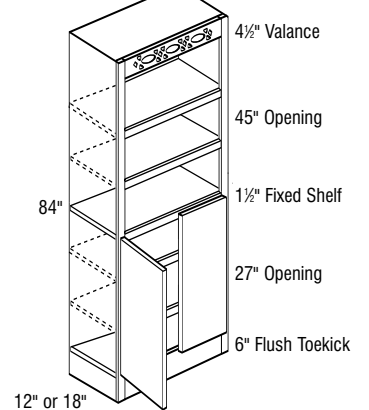
*Tall Bookcases with Straight Valance*

24", 30", or 36"



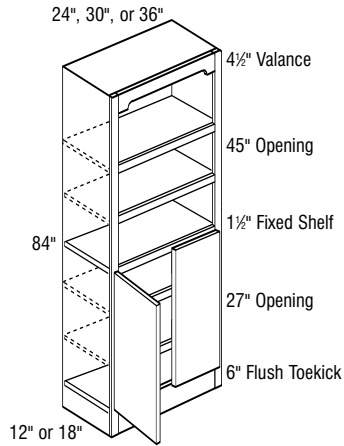
*Tall Bookcases with Doors & Arched Valance*

24", 30", or 36"

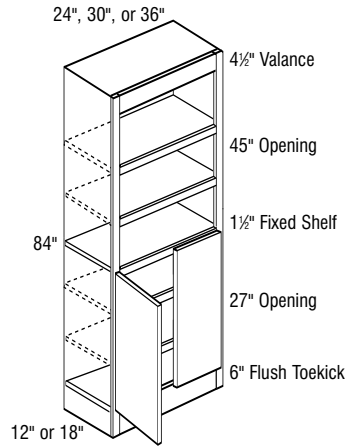


*Tall Bookcases with Doors & Frieze Valance*

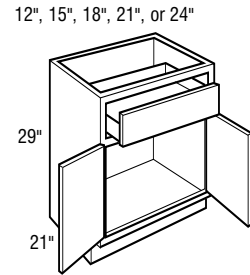
# SPECIFICATIONS & SIZES



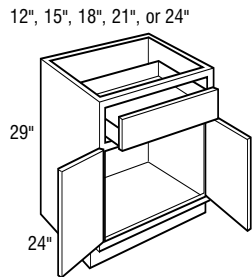
*Tall Bookcases with Doors & Furniture Valance*



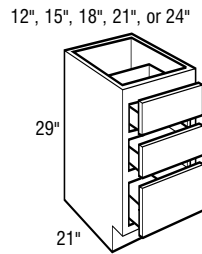
*Tall Bookcases with Doors & Straight Valance*



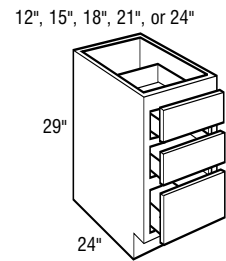
*Desk Door Drawer Bases, 21" Deep*



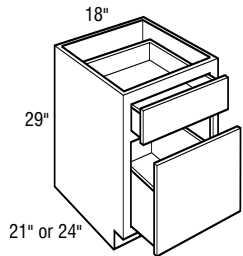
*Desk Door Drawer Bases, 24" Deep*



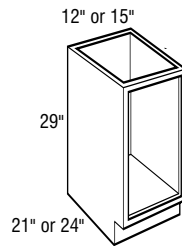
*Desk Drawer Bases, 21" Deep*



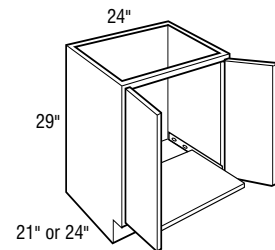
*Desk Drawer Bases, 24" Deep*



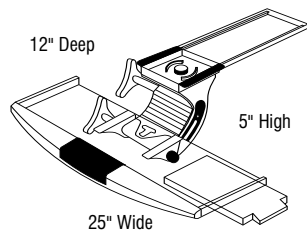
*Desk File Drawer Bases*



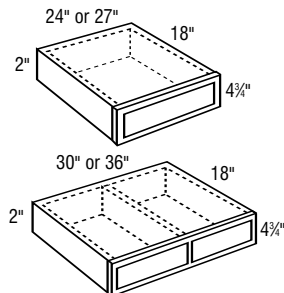
*CPU Bases*



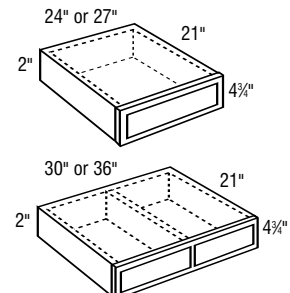
*Printer Bases*



*Keyboard Tray*



*Under Counter Drawer Cabinets, 18" Deep*



*Under Counter Drawer Cabinets, 21" Deep*